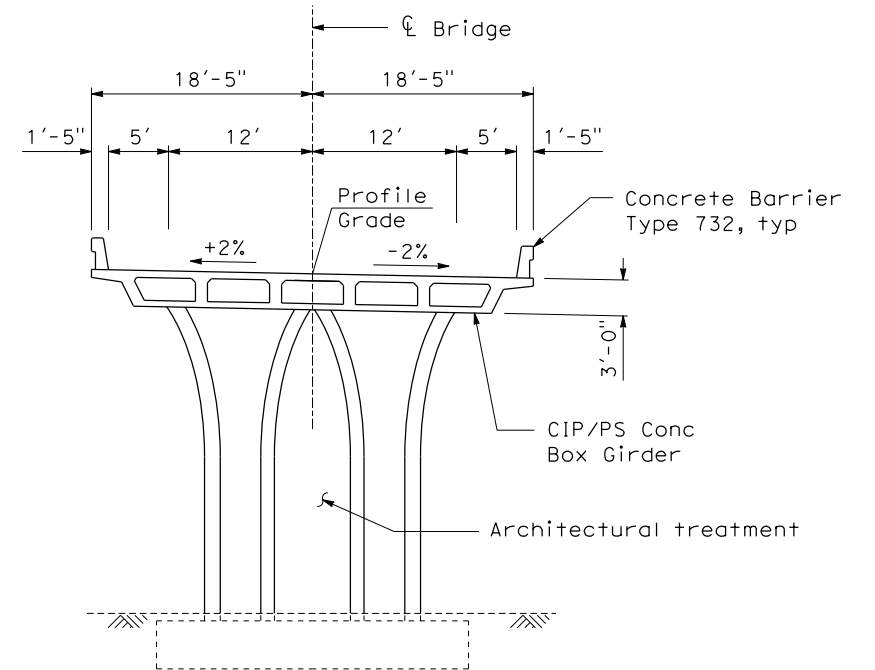
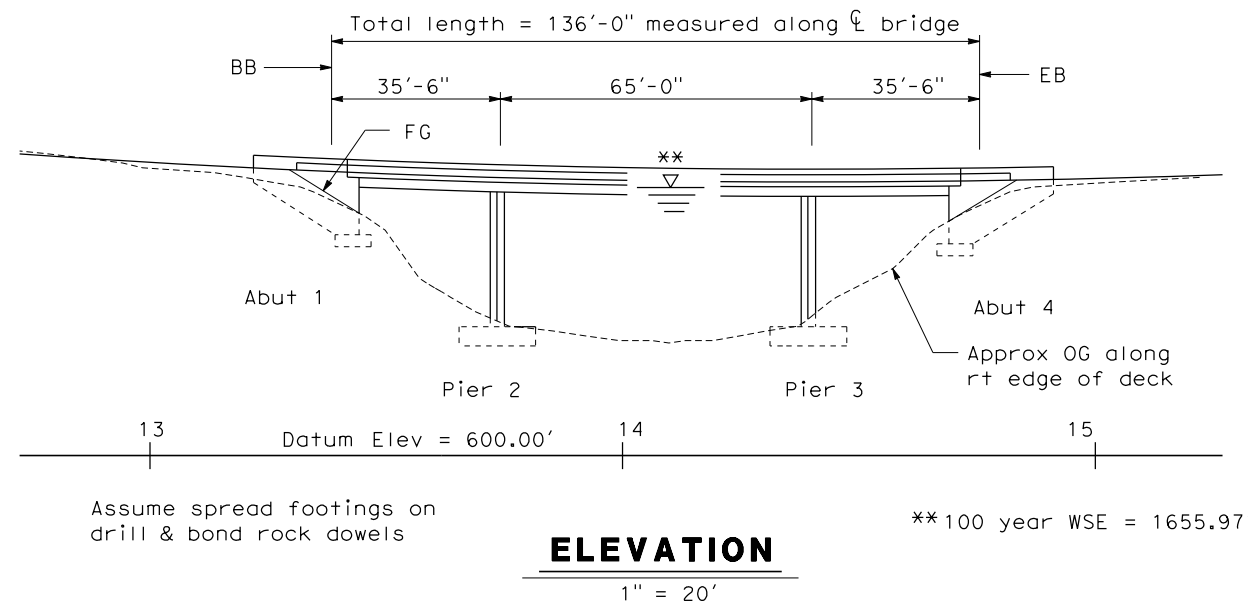
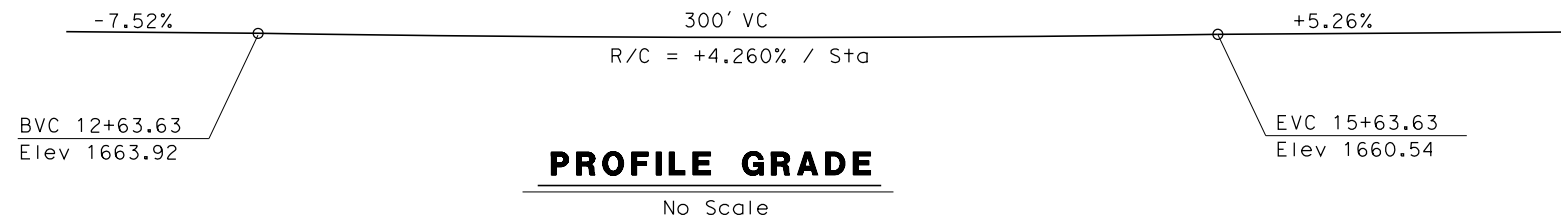


PREPARED FOR EL DORADO COUNTY

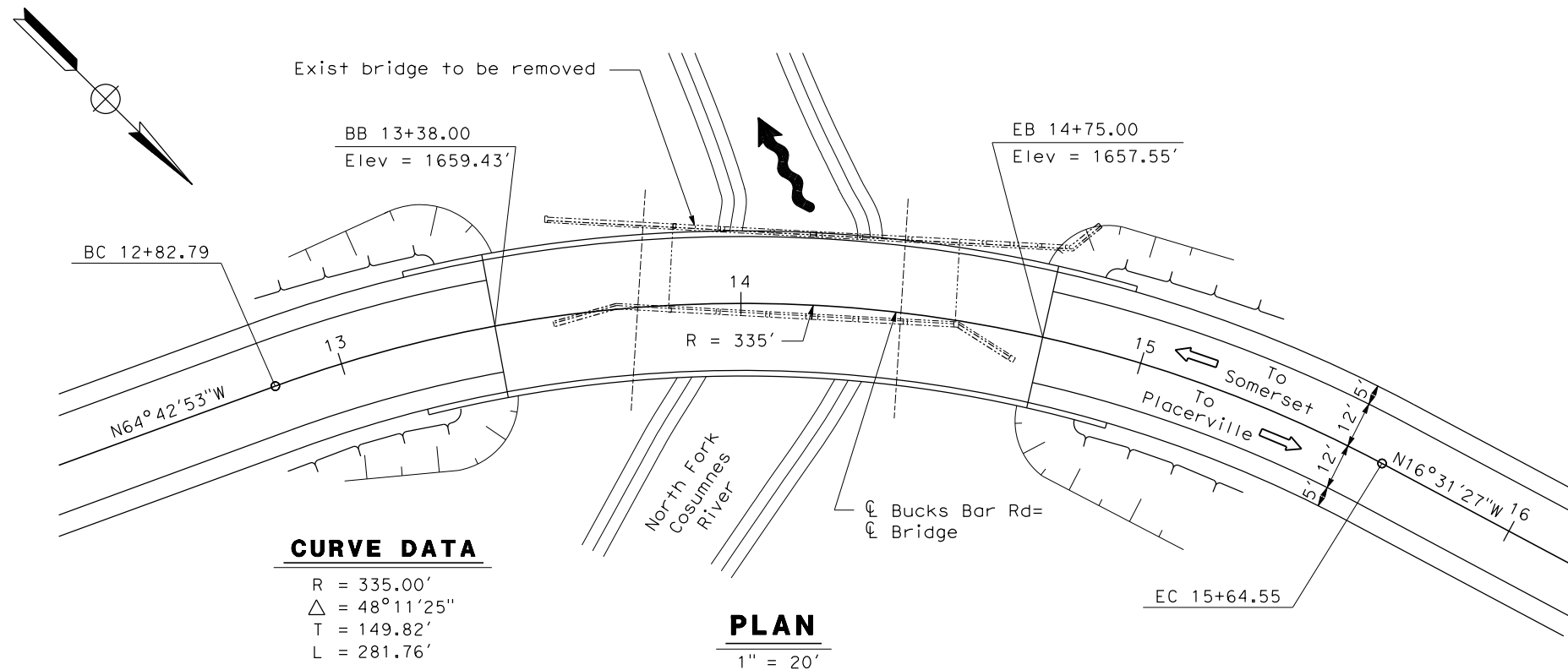
DIST.	COUNTY	ROUTE	POST MILES TOTAL PROJECT
03	ED	Local	N/A
El Dorado County Department of Transportation 4505 Golden Foothill Parkway El Dorado Hills, CA 95762			
Dokken Engineering 2365 Iron Point Rd, Suite 200 Folsom, Ca 95630			



**TYPICAL SECTION**

1" = 10'

Date of estimate	=	9-14-09
Structure depth	=	3'-0"
Length	=	136'-0"
Width	=	36'-10"
Area	=	5009 sq ft
Cost/□ ft including 10% mobilization & 25% contingency	=	\$269.50
Bridge Removal	=	\$150,000
Total Cost	=	\$1,500,000



**CURVE DATA**

R = 335.00'  
 Δ = 48°11'25"  
 T = 149.82'  
 L = 281.76'

**PLAN**

1" = 20'

**ALTERNATIVE 2**

**PLANNING STUDY**

**BUCKS BAR ROAD BRIDGE (REPLACE)**

BRIDGE NO. 25C-0003	CU N/A
SCALE: AS NOTED	EA N/A

DESIGNED BY K. Sorokina	DATE 9-14-09
DRAWN BY C. Houghton	DATE 9-14-09
CHECKED BY J. Bishop	DATE 9-14-09
APPROVED	DATE

*John Bishop*  
PROJECT ENGINEER

X	DESIGN OVERSIGHT
X	SIGN OFF DATE